



WASP[®] 
Pure Fuel Systems

WASP Fuel Filter Catalogue

Rev 1901

WASP PFS Ltd

3 Kingley Park, Station Road, Kings Langley, Herts, WD4 8GW

Tel +44(0)1923 606600

www.wasp-pfs.com

sales@wasp-pfs.com

WASP Fuel Filters

For applications which require fuel straining or high or small flow filtration devices, such as coarse pre-filters (eg 300 micron) or heating oil filtration, the WASP range of fuel filters offers a low-cost high-performance choice.

This range is a cost-effective primary filtration option for Marine, Heating oil, Industrial and Transport applications.

Our precision-built filters have been tried and tested for well over 15 years, and offer reliable service. The simplicity of operation is the key to the success of these self-clean filters with only two or three turns of the hand wheel being enough to clean the filter surface without interruption to the fluid flow or machinery operation.

Some of the biggest names in manufacturing use our filters in their machines, trusting WASP with the security of their fuel system.

Flow rates range from 10 to 24,000+ litres/hour with options of 15, 60, 100 and 300 microns and 250, 500, 750 or 1000 microns on the larger self-cleaning filters.

Housings are in aluminium (cast iron is an option with some models). The filter element discs are carbon steel, again the option of stainless-steel element discs on the larger models. Impurities are periodically removed via a drain plug or valve at the base of the filter housing.

Catalogue Page	Model Range	Approx Flow	Port Sizes	Micron rating
3	W-4	40 lit/hr	1/4", 3/8"	15, 60, 100 mic
4	W-8	60 lit/hr	1/4", 3/8", 1/2"	15, 60, 100 mic
5	W-15	240 lit/hr	1/2"x20UNF, M14	15, 15 extended, 60, 100 mic
8	W-15FS Fuel Stop	240 lit/hr	1/2"x20UNF, M14	Water separation
8	W-20 and W-NAPFG	200 lit/hr	3/8"	20, 150 mic
9	W-30	100 lit/hr	1/4", 3/8", 1/2"	15, 60, 100, 300 mic
10	W-7010x	3000 lit/hr	1/2", 3/4", 1"	60, 100, 300mic
11	W-7050x	8000 lit/hr	1", 1 1/4", 1 1/2", 2"	60, 100, 300mic
12	W-7070x	20000 lit/hr	2"	60, 100, 300mic
13	W-51000	20000 lit/hr	2"	250, 500, 750, 1000mic
14	Spin-On range	6000 lit/hr	3/4", 1 1/4"	3, 10, 12, 30mic, water absorb
15	W-HDF296-M14	45 lit/hr	M14	20mic

W-4

WASP W-4 is a cost-effective range of primary filtration equipment for marine, heating, industrial and transport applications. Available with either a clear plastic or metal bowl. All the models are made from aluminium (the W-4ST has a transparent plastic bowl) and are available with an optional mounting bracket.

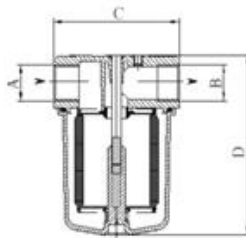
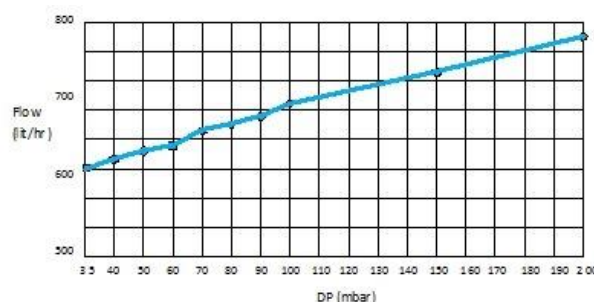


Features

- 36 litres per hour flow rate at minimal pressure drop (see chart)
- Plastic or metal bowls
- Lightweight
- Compact
- Choice of separators, paper elements or long-life stainless steel
- LM6 grade aluminium filter heads with reversible stainless-steel bracket & bolts
- Powder coated aluminium filter heads for corrosion prevention & long service life
- 1/4" or 3/8" BSP ports
- Sold in pack sizes of 50 pieces
- Aluminium head, aluminium or clear plastic bowl

Technical Specifications

- Maximum operating pressure: 2bar
- Max operating temp (metal bowl): 90°C
- Max operating temp (plastic bowl): 50°C
- Compatible with diesel and heavy oil



Dimensions

- A - 1/4" BSP or 3/8" BSP
- B - 1/4" BSP or 3/8" BSP
- C - 61mm
- D - 75mm

Assembly, maintenance and cleaning

Carefully follow the flow direction shown by an arrow on the filter. The filter can be installed in any position although it is recommended to fit it vertically with the bowl pointing downwards in order to facilitate the separation of the water traces and the deposit of the filtered impurities. Cleaning the filter is carried out by unscrewing the bowl. Carefully wash the filtering element with clean diesel, gas-oil or gasoline. Remount the unit and check that the seals are integral and well placed. Paper elements should be replaced as they cannot be reused.

W-4 range	Filtration (micron)	Details
W-4STM/0015P	15mic paper (pleated)	1/4" Ports, Metal bowl
W-4STM/006	60mic stainless steel (pleated)	
W-4STM/006L	60mic stainless steel (straight)	
W-4STM/01	100mic stainless steel (pleated)	
W-4STM/01L	100mic stainless steel (straight)	
W-4ST/0015P	15mic paper (pleated)	1/4" Ports, Clear bowl
W-4ST/006	60mic stainless steel (pleated)	
W-4ST/006L	60mic stainless steel (straight)	
W-4ST/01	100mic stainless steel (pleated)	
W-4ST/01L	100mic stainless steel (straight)	
W-4STM-38/0015P	15mic paper (pleated)	3/8" Ports, Metal bowl
W-4STM-38/006	60mic stainless steel (pleated)	
W-4STM-38/006L	60mic stainless steel (straight)	
W-4STM-38/01	100mic stainless steel (pleated)	
W-4STM-38/01L	100mic stainless steel (straight)	
W-4ST-38/0015P	15mic paper (pleated)	3/8" Ports, Clear bowl
W-4ST-38/006	60mic stainless steel (pleated)	
W-4ST-38/006L	60mic stainless steel (straight)	
W-4ST-38/01	100mic stainless steel (pleated)	
W-4ST-38/01L	100mic stainless steel (straight)	

W-4 Range Options	
W-70401	W-4 range mounting bracket and screw
W-60450/0015P	Replacement 15 mic paper element
W-60450/006	60 micron pleated stainless steel element
W-60450/006L	60 micron straight stainless-steel element
W-60450/01	100 micron pleated stainless steel element
W-60450/01L	100 micron straight stainless-steel element
W-3195	Gasket kit for 15 mic paper units
W-3198	Gasket kit for straight stainless-steel units
W-3198V	Viton gasket kit for straight stainless-steel units
W-3199	Gasket kit for pleated stainless-steel elements
W-3199V	Viton gasket kit for pleated stainless-steel elements



W-8

Please note, this is a non-stock item. Please ask for availability and minimum order quantities.

The W-8 is a step up from the W-4 range, however it is still ideal for primary filtration equipment for marine, heating, industrial and transport applications. Available with either a clear plastic or metal bowl. All the models are made from aluminium (the W-8ST has a transparent plastic bowl) and are available with an optional mounting bracket.



Features

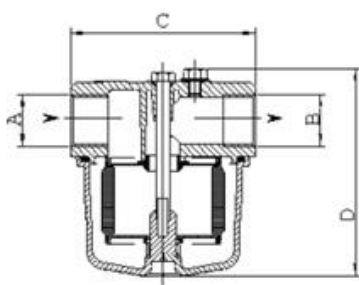
- Plastic or metal bowls
- Lightweight
- Compact
- Choice of separators, paper elements or long-life stainless steel
- LM6 grade aluminium filter heads with reversible stainless-steel bracket & bolts
- Powder coated aluminium filter heads for corrosion prevention & long service life

Technical Specification

- Maximum operating pressure: 2bar
- Max operating temp (metal bowl): 90°C
- Max operating temp (plastic bowl): 50°C
- Compatible with diesel and heavy oil

Dimensions

- A - 1/4", 3/8" or 1/2" BSP
- B - 1/4", 3/8" or 1/2" BSP
- C - 81mm
- D - 89mm (max)



Assembly, maintenance and cleaning

Carefully follow the flow direction shown by an arrow on the filter. The filter can be installed in any position although it is recommended to fit it vertically with the bowl pointing downwards in order to facilitate the separation of the water traces and the deposit of the filtered impurities. Cleaning the filter is carried out by unscrewing the bowl. Carefully wash the filtering element with clean diesel, gas-oil or gasoline. Remount the unit and check that the seals are integral and well placed. Paper elements should be replaced as they cannot be reused.

W-8 range	Filtration (micron)	Details
W-8STM-14/0015P	15mic paper	1/4" Ports, Metal bowl
W-8STM-14/006	60mic stainless steel	
W-8STM-14/01	100mic stainless steel	
W-8ST-14/0015P	15mic paper	1/4" Ports, Clear bowl
W-8ST-14/006	60mic stainless steel	
W-8ST-14/01	100mic stainless steel	
W-8STM-38/0015P	15mic paper	3/8" Ports, Metal bowl
W-8STM-38/006	60mic stainless steel	
W-8STM-38/01	100mic stainless steel	
W-8ST-38/0015P	15mic paper	3/8" Ports, Clear bowl
W-8ST-38/006	60mic stainless steel	
W-8ST-38/01	100mic stainless steel	

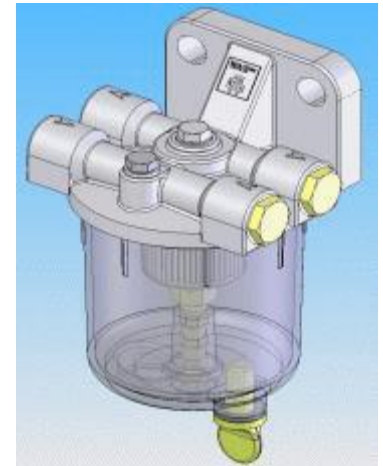
W-8 Range Options	
W-70358	W-8 range mounting bracket and screw
W-60300/0015P	Replacement 15 mic paper element
W-60300/006	60 micron pleated stainless steel element
W-60300/01	100 micron pleated stainless steel element
W-3204	Gasket kit
W-3204V	Viton gasket kit



W-15

Fuel filter/water separators for heating, transport and agricultural applications. Please note, for marine use we recommend the metal bowl version.

- Fuel flow up to 4 litres per minute (240 lit/hr)
- Filtration to 15um (paper) or 100um (stainless steel)
- Integrated mounting bracket
- ½"x20UNF ports, with fittings to allow for M14x1.5
- Water separation to 98.8%
- Pressure tested to 2 bar
- 4 ports in head (1 in 1 out on each side)
- Box quantity (drain plug versions): 48 pcs per box
- Box quantity (drain tap versions): 32 pcs per box
- Environmental temperature range: -20 to +120 °C
- Element surface area: 50 cm²



Features

- Compatible with diesel, kerosene, heavy fuel oil
- Aluminium die-cast filter head/ bracket
- Transparent (Trogamid T5000) or aluminium bowl.

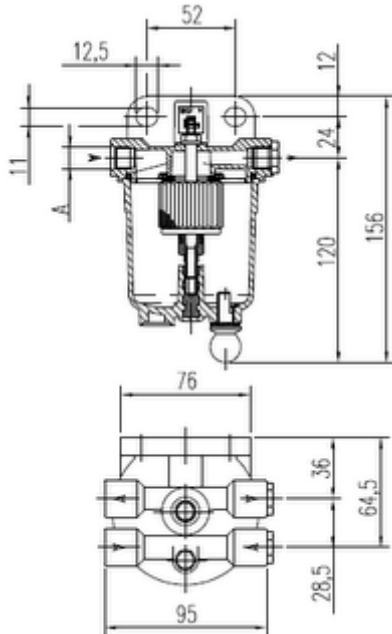
Technical specifications

W-15ST.85.01 (1/2" x20UNF)

W-15ST.85M (M14x1.5)

W-15FS (1/2"x20UNF or M14x1.5)

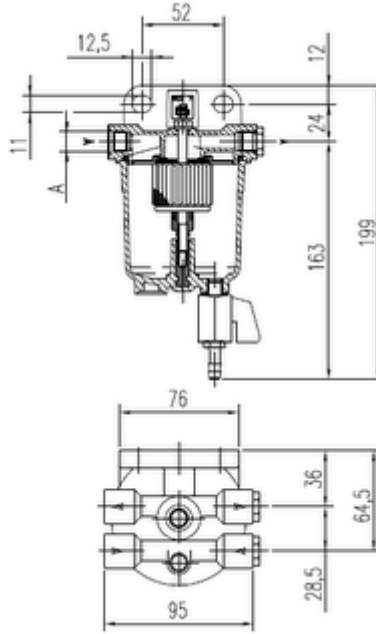
Clear bowl, drain plug



W-15ST.85.01B (1/2" x20UNF)

W-15ST.85B (M14x1.5)

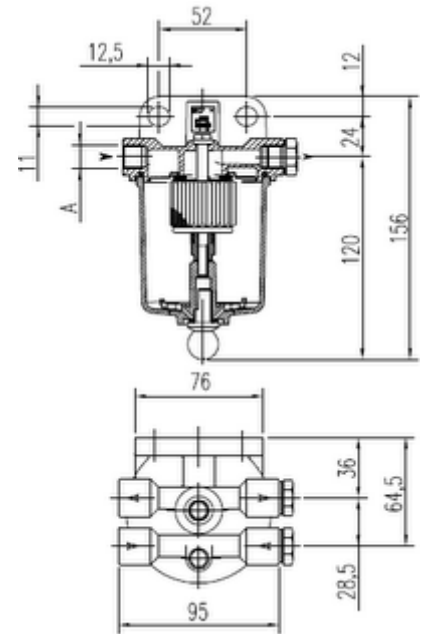
Clear bowl, drain tap



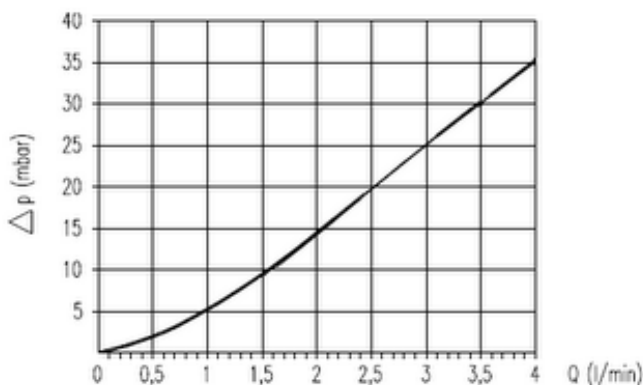
W-15ST.85MN (M14x1.5)

W-15ST.85pps (M14x1.5)

Metal bowl, drain plug



NOTE: M14 version use adapters to convert form ½" ports to M14x1.5 female



The WASP W-15 range has been tested at flow rates up to 4 lit/min (240 lit/hr). The differential pressure chart (to the right) shows how the unit's restriction changes as the flow rate increases.

Please note, this chart assumes clean diesel and a clean element



Water separation tests independently carried out in Germany to DIN ISO 4020 standard.

Test model: W-15ST.85M
 Element: 100um stainless steel
 Ports: M14 x 1.5

Water separation at 2.5 lit/min: 98.9%

Water separation at 4.0 lit/min: 96.3%

Assembly, maintenance and cleaning

carefully follow the flow direction shown by an arrow on the filter. The filter can be installed in any position although it is recommended to fit it vertically with the bowl pointing downwards in order to facilitate the separation of the water traces and the deposit of the filtered impurities.

Cleaning the filter is carried out by unscrewing the central bolt and then removing the bowl. Carefully wash the stainless-steel filtering element with clean diesel, gas-oil or similar. Paper elements should be replaced as they cannot be reused. Remount the unit and check that the seals are integral and well placed.

W-15 range	Filtration (micron)	Details
W-15ST.85.01	100mic stainless steel	1/2" x 20 UNF ports, clear bowl, drain plug
W-15ST.85M	100mic stainless steel	M14x1.5 ports, clear bowl, drain plug
W-15ST.85.01B	100mic stainless steel	1/2" x 20 UNF ports, clear bowl, drain tap
W-15ST.85B	100mic stainless steel	M14x1.5 ports, clear bowl, drain tap
W-15ST.85Mpps	15mic paper	M14x1.5 ports, clear bowl, drain plug
W-15ST.85pps	15mic paper extended length	M14x1.5 ports, clear bowl, drain plug
W-15ST.85MN	100mic stainless steel	M14x1.5 ports, metal bowl, drain plug



Please note, other options are available on request, please contact us for details.

W-15 range options	
W60450/0015P	Standard replacement 15 mic paper element (all inc 85Mpps, except 85pp)
W60200/0015P	Replacement extended paper element (15 micron) for 85pps model only
W60450/01	Replacement 100 mic stainless steel element
W-3195	Replacement seal kit for W-15 with paper element
W-3199	Replacement seal kit for W-15 with stainless steel element

Other element types are available on request; please contact us for more details.

W-15FS Fuel Stop

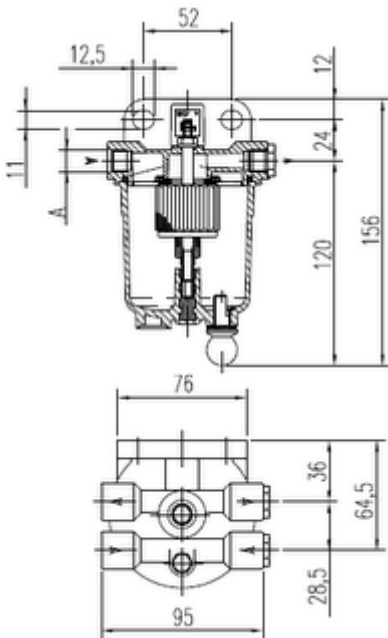
The unique fuel stop from WASP is an innovative way to avoid water contamination of diesel engines.

Fuel filter/water separators for heating, transport, and agricultural applications. Please note, for marine use we recommend the metal bowl version.

- Fuel flow up to 4 litres per minute (240 lit/hr)
- Water stopping design
- Integrated mounting bracket
- ½" x 20UNF ports, optional fittings for M14x1.5 ports
- 4 ports in head (1 in 1 out on each side)

Features

- Compatible with diesel, kerosene, heavy fuel oil
- Aluminium die-cast filter head/ bracket
- Transparent (Trogamid T5000) or optional aluminium bowl.



Installation

There are inputs and outputs on both sides, arrows on the filter top indicate their function. The filter should be installed vertically with the bowl pointing downwards to facilitate the separation of water. Ensure the fuel stop is after any existing filters in your pipe work.

When water level reaches the pre-determined level, the flow of fuel is halted. This offers a safe way to ensure water in fuel contamination doesn't reach your engine.

The internal precision machined float ensures only fuel passes; it is free to move within the filter and as the water is separated, will float on that water content collecting in the bowl.

The W-15FS does not offer particulate filtration, only water separation and trapping.

Engine protection from water content is unparalleled in such a compact form.



W-20 and W-NAPFG

A primary fuel filter/water separator providing protection from damaging water and particulate commonly found in diesel fuel.

Basic details

- Fuel filter separator
- 3/8" BSP
- 20 and 150 micron cleaning
- Ball valve draining
- Clear, metal or clear with metal heat-shield bowls available
- RINA (ISO10088) option available
- Flow rates up to 2.5 lit/min
- Plastic or metal bowls
- LM6 grade aluminium filter heads with reversible stainless-steel bracket & bolts
- Powder coated aluminium filter heads for corrosion prevention & long service life



Description

WASP Fuel Filters offer a new cost-effective range of primary filtration equipment for Marine, Industrial and Transport applications. The problems that can occur due to water and sediment in fuel are well known and WASP Filters offer a wide choice of options to cover most requirements. Available with either a clear plastic bowl or metal bowl and brass drain valve.

1. Separation:

The incoming flow of fuel oil changes velocity and direction, reducing the possibility of further reduction of any water droplets present through impact.

2. Coalescence:

This takes place on and just below the flow dispersion member allowing the separated water to descend to the bottom of the filter bowl.

3. Filtration:

The fuel finally passes through the stainless-steel filter element. This removes all particulate above 100 micron still suspended in the fuel after the separation process.

Paper filter elements are 20 micron, Steel filter elements are 150 micron stainless steel.

Water separation efficiency all models greater than 97%

RINA Certificate No. DIP/14/94 (Fire resistance test). All metal bowl or RINA spec units meet and exceed the requirements of ISO 10088 Annex B.

Dimensions: 100 mm wide x 100 depth x 200mm tall

Weights:	W-20	Paper element clear bowl 0.54kg	Steel element clear bowl 0.80kg
	W-25	Paper element metal bowl 0.65kg	Steel element metal bowl 0.91kg
	W-NAPFG	Paper element Rina 1.00kg	Steel element Rina 1.11kg

W-20 range	Filtration (micron)	Details
W-20F	20 micron paper	Clear bowl
W-20FM	20 micron paper	Metal bowl
W-25ST	150 micron stainless steel	Clear bowl
W-25STM	150 micron stainless steel	Metal bowl
W-NAPFG-17T	150 micron stainless steel	"Rina" spec clear bowl with metal heat shield (ISO10088)
W-NAPFG-17T-P	20 micron paper	"Rina" spec clear bowl with metal heat shield (ISO10088)



W-20 range options	
W-2301	Replacement seal kit
W-2302	Replacement 20 micron paper element and seal kit
W-2303	Replacement 150 micron stainless steel element only

W-30

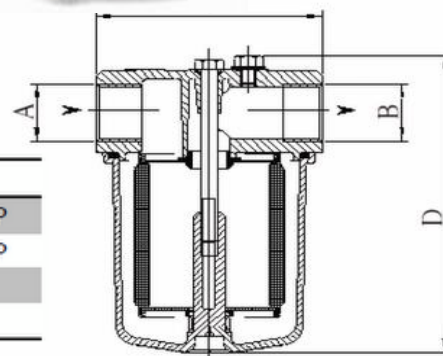
WASP Fuel Filters offer a new cost-effective range of primary filtration equipment for marine, heating, industrial and transport applications. The problems that can occur due to water and sediment in fuel are well known and WASP Filters offer a wide choice of options to cover most requirements. All metal bowl units meet and exceed the requirements of ISO 10088 Annex B. Our standard model is a 3/8" BSP port, metal bowl with 100 micron.

Features

- Flow rates up to 1.6 lit/min
- 1/4", 3/8" and 1/2" BSP connections
- 15, 60, 100 and 300 micron cleaning
- LM6 grade aluminium filter heads with reversible stainless-steel bracket & bolts
- Powder coated aluminium filter heads for corrosion prevention & long service life
- ISO10088 metal bowl

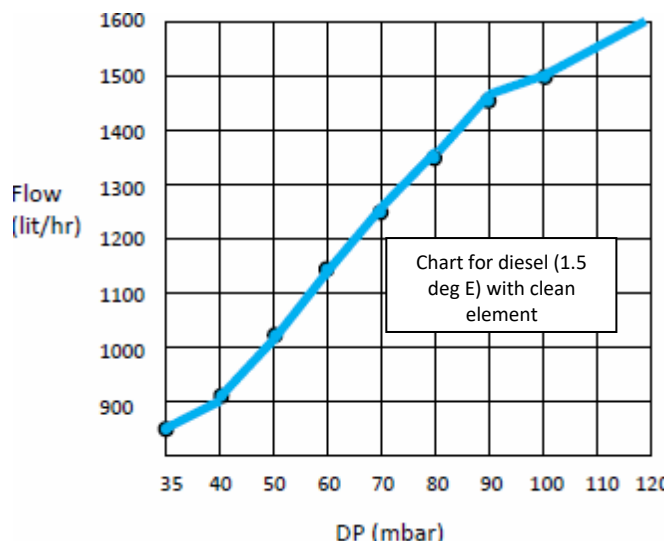
Technical specifications

- Maximum operating pressure 2bar
- Max operating temp (metal bowl) 90 deg C
- Max operating temp (plastic bowl) 50 deg C
- Compatible with diesel and heavy oil
- Optional viton seals
- Optional clear bowl



Dimensions	
A	1/4", 3/8" or 1/2" BSP
B	1/4", 3/8" or 1/2" BSP
C	81mm
D	140mm (max)

Carefully follow the flow direction shown by an arrow on the filter. The filter can be installed in any position although it is recommended to fit it vertically with the bowl pointing downwards in order to facilitate the separation of the water traces and the deposit of the filtered impurities. Cleaning the filter is carried out by unscrewing the central bolt and then unscrewing the bowl. Carefully wash the filtering element with clean diesel, gas-oil or gasoline. Remount the unit and check that the seals are integral and well placed. Paper elements should be replaced as they cannot be reused. Water can be drained by opening the bleed screw on the lid and then the water drain at the bottom of the bowl.



W-30 range	Filtration (microns)	Details
W-30STM/14/0015P	15mic paper	1/4"
W-30STM/14/006	60mic stainless steel	Ports,
W-30STM/14/01	100mic stainless steel	Metal
W-30STM/14/03	300mic galvanised steel	bowl
W-30ST/14/0015P	15mic paper	
W-30ST/14/006	60mic stainless steel	1/4 Ports,
W-30ST/14/01	100mic stainless steel	Clear bowl
W-30ST/14/03	300mic galvanised steel	
W-30STM/38/0015P	15mic paper	3/8"
W-30STM/38/006	60mic stainless steel	Ports,
W-30STM/38/01	100mic stainless steel	Metal
W-30STM/38/03	300mic galvanised steel	bowl
W-30ST/38/0015P	15mic paper	
W-308ST/38/006	60mic stainless steel	3/8"
W-30ST/38/01	100mic stainless steel	Ports,
W-30ST/38/03	300mic galvanised steel	Clear bowl
W-30STM/12/0015P	15mic paper	1/2"
W-30STM/12/006	60mic stainless steel	Ports,
W-30STM/12/01	100mic stainless steel	Metal
W-30STM/12/03	300mic galvanised steel	bowl
W-30ST/12/0015P	15mic paper	
W-30ST/12/006	60mic stainless steel	1/2"
W-30ST/12/01	100mic stainless steel	Ports,
W-30ST/12/03	300mic galvanised steel	Clear bowl

W-30	range options
W-70358	W-30 range mounting bracket and screw
W-60200/0015P	Replacement 15 mic paper element
W-602000/006	Replacement 60 mic pleated stainless steel element
W-60200/01	Replacement 100 mic pleated stainless steel element
W-60200/03	Replacement 300 mic pleated galvanised steel element
W-3203	Gasket kit
W-3203V	Viton gasket kit



W-7010x

- Fuel filter separator
- 1/2" BSP or 1" BSP ports
- 60, 100 and 300 micron cleaning (stainless steel elements)
- Flow rates up to 50 lit/min



WASP Fuel Filters offer a new cost-effective range of primary filtration equipment for marine, heating, industrial and transport applications. The problems that can occur due to water and sediment in fuel are well known and WASP Filters offer a wide choice of options to cover most requirements.

Metal bowl units meet and exceed the requirements of ISO 10088 Annex B.

- 1/2", 3/4" and 1" BSP connections
- Metal bowls
- Up to 3000 litres per hour flow rate
- Lightweight
- Inexpensive solution
- Long-life stainless-steel elements
- LM6 grade aluminium filter heads with reversible stainless-steel bracket & bolts
- Powder coated aluminium filter heads for corrosion prevention & long service life

Technical specifications

Maximum operating pressure 2bar
 Max operating temp (metal bowl) 90 deg C
 Compatible with diesel and heavy oil

Options (on request)

- Wall mounting bracket
- Viton seals
- Heated version available on request
- Magnetic filter available on request
- Assembly, maintenance and cleaning

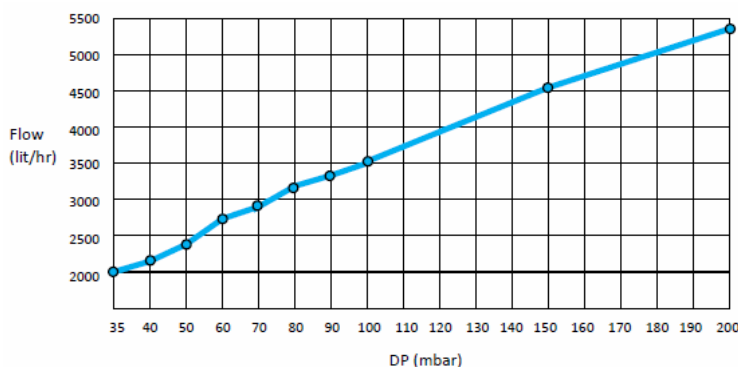
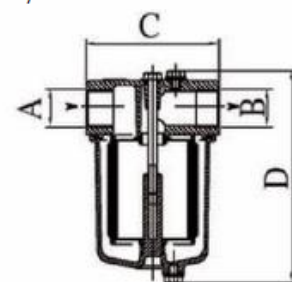


Chart for diesel (1.5°E) with clean element

Dimensions	
A	1/2", 3/4" or 1" BSP
B	1/2", 3/4" or 1" BSP
C	120mm
D	175mm



Carefully follow the flow direction shown by an arrow on the filter. The filter can be installed in any position although it is recommended to fit it vertically with the bowl pointing downwards in order to facilitate the separation of the water traces and the deposit of the filtered impurities. Cleaning the filter is carried out by unscrewing the central bolt and then unscrewing the bowl. Carefully wash the filtering element with clean diesel, gas-oil or gasoline. Remount the unit and check that the seals are integral and well placed. Paper elements should be replaced as they cannot be reused. Water can be drained by opening the bleed screw on the lid and then the water drain at the bottom of the bowl.

W-7010x range	Filtration (micron)	Details
W-70107/006	60mic stainless steel	1/2" Ports, Metal bowl
W-70107/01	100mic stainless steel	
W-70107/03	300mic galvanised steel	
W-70104/006	60mic stainless steel	3/4" Ports, Metal bowl
W-70104/01	100mic stainless steel	
W-70104/03	300mic galvanised steel	
W-70101/006	60mic stainless steel	1" Ports, Metal Bowl
W-70101/01	100mic stainless steel	
W-70101/03	300mic galvanised steel	

W-7010x	Range options
W-FS13	W-7010x range mounting bracket
W-60100/006	Replacement 60 mic pleated stainless steel element
W-60100/01	Replacement 100 mic pleated stainless steel element
W-60100/03	Replacement 300 mic pleated galvanised steel element
W-3207	Gasket kit
W-3207V	Viton gasket kit



W-7050x

- Fuel filter separator
- 1" BSP or 1.5" BSP ports
- 60, 100 and 300 micron cleaning (stainless steel elements)
- Flow rates up to 133 lit/min



WASP Fuel Filters offer a new cost-effective range of primary filtration equipment for marine, heating, industrial and transport applications. The problems that can occur due to water and sediment in fuel are well known and WASP Filters offer a wide choice of options to cover most requirements. Metal bowl units meet and exceed the requirements of ISO 10088 Annex B.

- 1", 1 1/4", 1 1/2" and 2" BSP connections
- Metal bowls
- Up to 8000 litres per hour flow rate with modest DP figures (see below)
- Lightweight
- Inexpensive solution
- Long-life stainless-steel elements
- LM6 grade aluminium filter heads with reversible stainless-steel bracket & bolts
- Powder coated aluminium filter heads for corrosion prevention & long service life

Technical Specification

Maximum operating pressure 2bar
 Max operating temp (metal bowl) 90 deg C
 Compatible with diesel and heavy oil

Options (on request)

- Wall mounting bracket
- Viton seals
- Heated version available on request
- Magnetic filter available on request
- Assembly, maintenance and cleaning

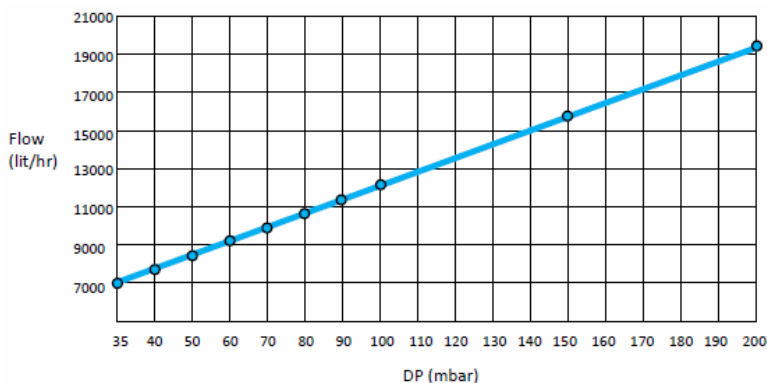


Chart for diesel (1.5°E) with clean element

Carefully follow the flow direction shown by an arrow on the filter. The filter can be installed in any position although it is recommended to fit it vertically with the bowl pointing downwards in order to facilitate the separation of the water traces and the deposit of the filtered impurities. Cleaning the filter is carried out by unscrewing the central bolt and then unscrewing the bowl. Carefully wash the filtering element with clean diesel, gas-oil or gasoline. Remount the unit and check that the seals are integral and well placed. Paper elements should be replaced as they cannot be reused. Water can be drained by opening the bleed screw on the lid and then the water drain at the bottom of the bowl.

W-7050x range	Filtration (microns)	Details
W-70501/006	60mic stainless steel	1" Ports, Metal bowl
W-70501/01	100mic stainless steel	
W-70501/03	300mic galvanised steel	
W-70502/006	60mic stainless steel	1 1/4" Ports, Metal bowl
W-70502/01	100mic stainless steel	
W-70502/03	300mic galvanised steel	
W-70503/006	60mic stainless steel	1 1/2" Ports, Metal Bowl
W-70503/01	100mic stainless steel	
W-70503/03	300mic galvanised steel	
W-70504/006	60mic stainless steel	2" Ports, Metal Bowl
W-70504/01	100mic stainless steel	
W-70504/03	300mic galvanised steel	

W-70501-02-03	range options
W-70500B	W-7050x range mounting bracket
W-60500/006	Replacement 60 mic pleated stainless steel element
W-60500/01	Replacement 100 mic pleated stainless steel element
W-60500/03	Replacement 300 mic pleated galvanised steel element
W-3197	Gasket kit
W-3197V	Viton gasket kit

W-70504	range options
W-70500B	W-7050x range mounting bracket
W-60504/006	Replacement 60 mic pleated stainless steel element
W-60504/01	Replacement 100 mic pleated stainless steel element
W-60504/03	Replacement 300 mic pleated galvanised steel element
W-3197	Gasket kit
W-3197V	Viton gasket kit

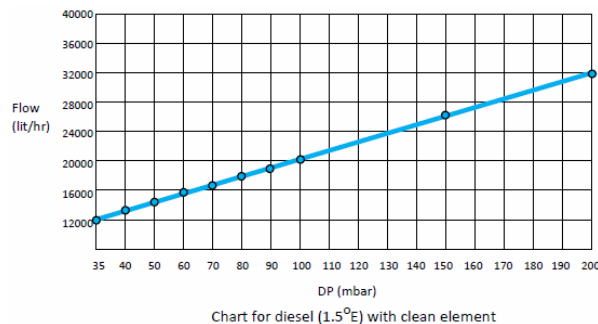
W-7070x

- Fuel filter separator
- 2" BSP or DN50 Pn16 flanged ports
- 60, 100 and 300 micron cleaning (stainless steel elements)
- Flow rates up to 333 lit/min

WASP Fuel Filters offer a new cost-effective range of primary filtration equipment for marine, heating, industrial and transport applications. The problems that can occur due to water and sediment in fuel are well known and WASP Filters offer a wide choice of options to cover most requirements. All units meet and exceed the requirements of ISO 10088 Annex B.

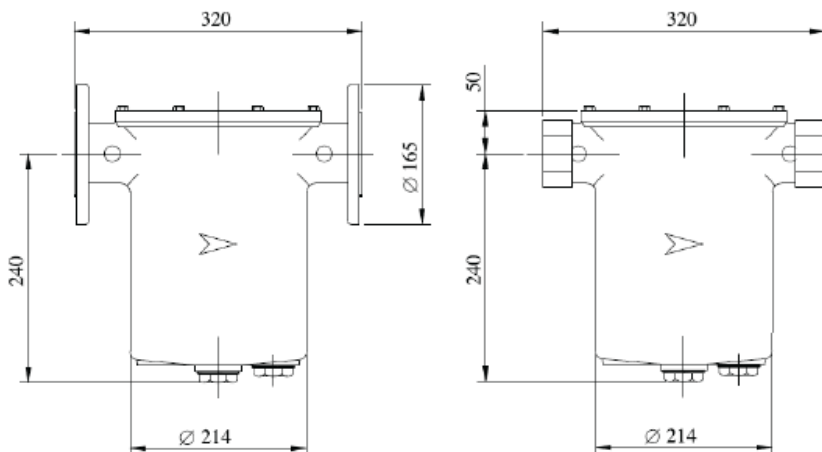


- 2" BSP connections
- Screw thread of flanged options
- Metal bowls
- Up to 20,000 litres per hour flow rate with modest DP figures (see below)
- 1/4" plug for air bleed
- 1 1/4" water/sediment drain on underside
- 1/4" input and output pressure monitoring ports (plugged when supplied)
- Long-life stainless-steel elements
- LM6 grade aluminium filter heads with reversible stainless-steel bracket & bolts
- Technical Specification



Maximum operating pressure 4bar
 Max operating temp (metal bowl) 90 degC
 Compatible with diesel and heavy oil

Carefully follow the flow direction shown by an arrow on the filter. The filter can be installed in any position although it is recommended to fit it vertically with the bowl pointing downwards in order to facilitate the separation of the water traces and the deposit of the filtered impurities. Cleaning the filter is carried out by unscrewing the central bolt and then unscrewing the bowl. Carefully wash the filtering element with clean diesel, gas-oil or gasoline. Remount the unit and check that the seals are integral and well placed. Paper elements should be replaced as they cannot be reused. Water can be drained by opening the bleed screw on the lid and then the water drain at the bottom of the bowl.



W-70700 range	Filtration (micron)	Details
W-70700/006	60mic stainless steel	2" Ports, Metal bowl
W-70700/01	100mic stainless steel	
W-70700/03	300mic galvanised steel	
W-70700/006F	60mic stainless steel	DN.50 Pn16 flange, Metal bowl
W-70700/01F	100mic stainless steel	
W-70700/03F	300mic galvanised steel	

W-70700 and W-70700F	Range options
W-70700B	W-70700 range mounting bracket
W-60500/006	60 mic pleated stainless steel element
W-60500/01	100 mic pleated stainless steel element
W-60500/03	300 mic pleated galvanised steel element
W-3196	Gasket kit
W-3196V	Viton gasket kit



W-51000

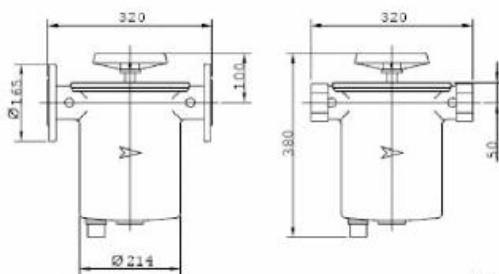
- Self-cleaning fuel filter separator
- 2" BSP or DN50 Pn16 flanged ports
- 250, 500, 750 and 1000 micron options
- Flow rates up to 333 lit/min

The main design benefit of the self-clean filter range is that it can be serviced without being disassembled. The flow of fluid through the unit is not interrupted and consequently neither is the operation of the system/engine it is filtering for. To clean the filter, simply twist the handle at the top of the unit – this process can be manual or automatic (motorised using a variable speed drive).

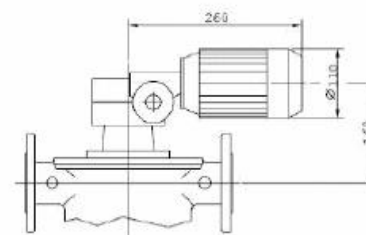
This automatic system can then be controlled by a timer; or for fully automatic operation by a pressure switch mounted on the output side filter. This would then trigger cleaning due to excessive pressure loss caused by a dirty filter.

- W-51000 Threaded 2" UNI-ISO 7/1
- W-51000F Flanged DN50 Pn16 ISO 7005
- Max operating pressure 4 bar
- Max operating temperature 120°C
- Fuel: Diesel oil and heavy oil
- Filtering degree: 250 - 1000µm
- Drain plugs: Rp 1"1/4 (gal steel)
- Pipe pressure plugs: Rp 1/4" (brass)

Aluminium filter body and cover, filter elements in carbon steel, brass control shaft bushing, viton sealing o-ring, control and check shaft of the scraper in steel, hand-wheel for the filtering element cleaning out of plastic anti-shock material.



Overall Dimensions (mm)



250 micron					Viscosity °E	500 micron				
Pressure Loss Δp (mbar)						Pressure Loss Δp (mbar)				
15	30	60	150	300		15	30	60	150	300
2500	4900	9000	18000	25000	3 ÷ 7	3500	6700	12500	21000	29000
1750	3500	6500	14000	20000	8 ÷ 15	3000	6000	11000	19500	27000
1150	2300	41000	10000	15400	16 ÷ 25	2500	5000	9000	17000	24800
900	1700	3150	8300	12800	26 ÷ 40	2100	4000	7500	15600	23000
650	1200	2250	5600	8600	41 ÷ 60	1700	3200	6000	12600	19800
500	964	1700	4300	7000	61 ÷ 80	1400	2700	5000	11500	18000

Optional Installation of one or two 300W heating elements (230V/50Hz - IP65). With a temperature range of 0 to 90°C, and a fixed limited temperature of 100°C. This device has an electrical insulation of IP40 Filter elements manufactured in 304 stainless steel. Electric reducer for cleaning to the filtering unit: Rotation speed: 1 RPM Torque: 50 Nm, Power consumption: 90 W Type of motor: connection for single or three phase, Electrical insulation: IP54 An intermittent cycle is recommended for longer filtering life

W-51000 range	Filtration (micron)	Details
W-51000/1	1000 micron (1mm)	2" Ports, Metal bowl
W-51000/075	750 micron	
W-51000/05	500 micron	
W-51000/025	250 micron	
W-51000/1F	1000 micron (1mm)	DN50 Pn16 2" Ports, Metal bowl
W-51000/075F	750 micron	
W-51000/05F	500 micron	
W-51000/025F	250 micron	

INSTALLATION NOTES

- Make sure that the fluids are compatible with the filter material.
- Follow the flow direction according to the arrow printed on the filter.
- Make certain that the input/output piping is aligned and that there are no obstacles or restrictions inside.
- Install the filter on a hard surface and avoid soft materials such as plastered walls.
- Install the filter with the cleaning handle (flywheel) turned upwards.
- We recommend installing a bleeding valve in the closed circuit to avoid overpressure due

to the fuel temperature variations.

Other sizes are available in the self clean range, from 1/2" ports to 2" ports - please ask for details.

Spin On Range

The WASP spin on filter range is a cost-effective method of extracting contaminate from fuel. The filters range from a rated flow of 11 litres per minute upwards and can be supplied with paper filters for staining or glass filters for emulsified water removal. For fine cleaning, the range also offers a 3 micron straining filter and head with a high flow rate.

In heavy-duty filtration, the efficiency of the filter is the key to protecting the engine. Analysis of fuel from heavy-duty diesel engines has shown that about 90% of the particles that can harm an engine have a size between 5 and 15 Micron.

Unequaled by any traditional filter media, WASP spin on filters performs at least twice as efficiently as cellulose and delivers almost 100% filtration efficiency for this range of particles. While other filter medias are made of cellulose or glass fibres, the WASP emulsified water removal system is a composite of bonded layers of synthetic filter media.

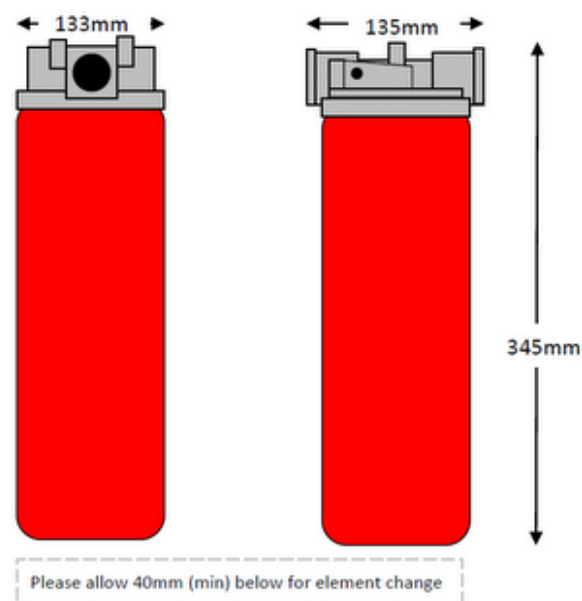
High Flow Range

Low cost, high performance diesel/MDO fuel filter/water separator. For fuel flow rates up to 6000 litres per hour (100 litres per minute)

Specification

Flow rate: 6000 lit/hr
 Type: Water absorption or absolute filtration
 Head Port size: 1.25" BSP female
 Head by-pass: 1.75bar bypass built in (element service point)
 Head mounting holes: 2x M8x1.25 female
 Optional gauge: 0-30PSI / 0-2Bar pressure gauge

W-13904380	1.25" BSP 2 port head, 1.75bar bypass
W-11285(R)	Water absorption media filter / water stop fuel filter
W-16776/6000(R)	3 micron fine filter
W-16778/6000(R)	10 micron filter
W-16780/6000(R)	12 micron filter
W-16721/6000(R)	30 micron filter
W-139800MR	Pressure gauge for W-13904380 head



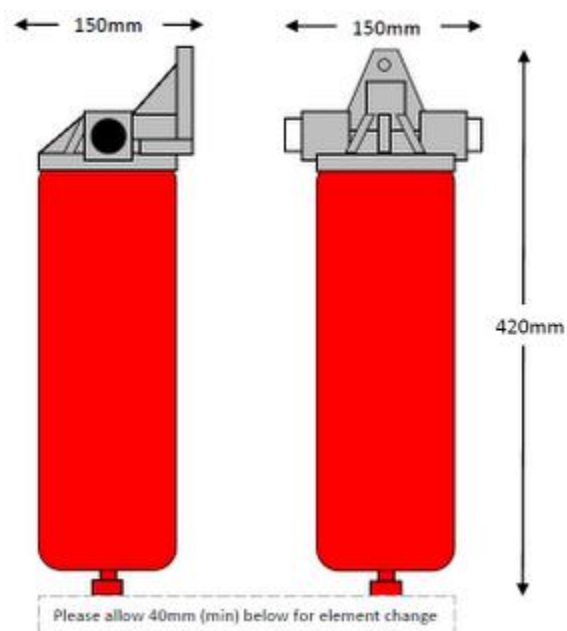
Slow Flow Range

Low cost, high performance diesel/MDO fuel filter/water separator. For fuel flow rates up to 680 litres per hour. Free and emulsified water removal. Integrated metal water drain.

Specification

Flow rate: 680 lit/hr
 Micron: 10 micron
 Type: Water removal (both free and emulsified) c/w water drain valve
 Port size: 7/8"-14UNF (fittings available to BSP and metric sizes on request)
 Head by-pass: n/a

W-3302367	Filter head, 7/8" ports
W-1013/680(R)	Emulsified water removal filter, 10 micron



W-HDF-296-M14

Standard fuel pre-filter/water separator complete with integrated hand priming pump, metal bowl and metal drain plug. Manufactured and checked to ISO9001:2000 approved standards for manufacturing and administration.

Specification

Delphi type pre-filter, accepts CAV7111/296 (HDF296) filter element

Integrated diaphragm hand priming pump

Aluminium water collection bowl and metal drain plug in accordance with ISO10088

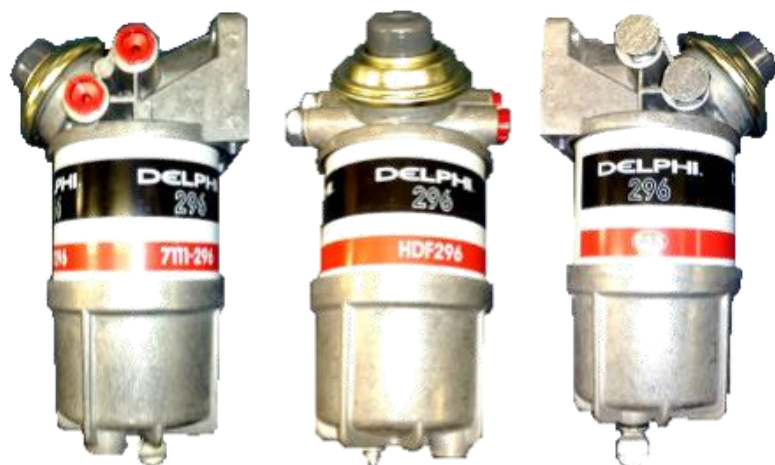
Fuel Flow Rate
45 litres per hour

Filtration
20 micron abs
98% of contamination at 18 micron or larger in a single pass.
80% of contamination at 10 micron or larger in a single pass

Ports
Four M14 ports (2 in, 2 out).
Unused ports are blocked with supplied port blanking plugs.

Dimensions
100mm (width) x 120mm (depth) x 230mm (height)

- Simple cost-effective filtration
- The benefit of the CAV 296 filter element allowing for ease of parts sourcing worldwide.
- Integrated priming pump for simple servicing.
- Extended metal bowl for maximum contaminate handling with smallest possible service interval.



Top view

Bottom view